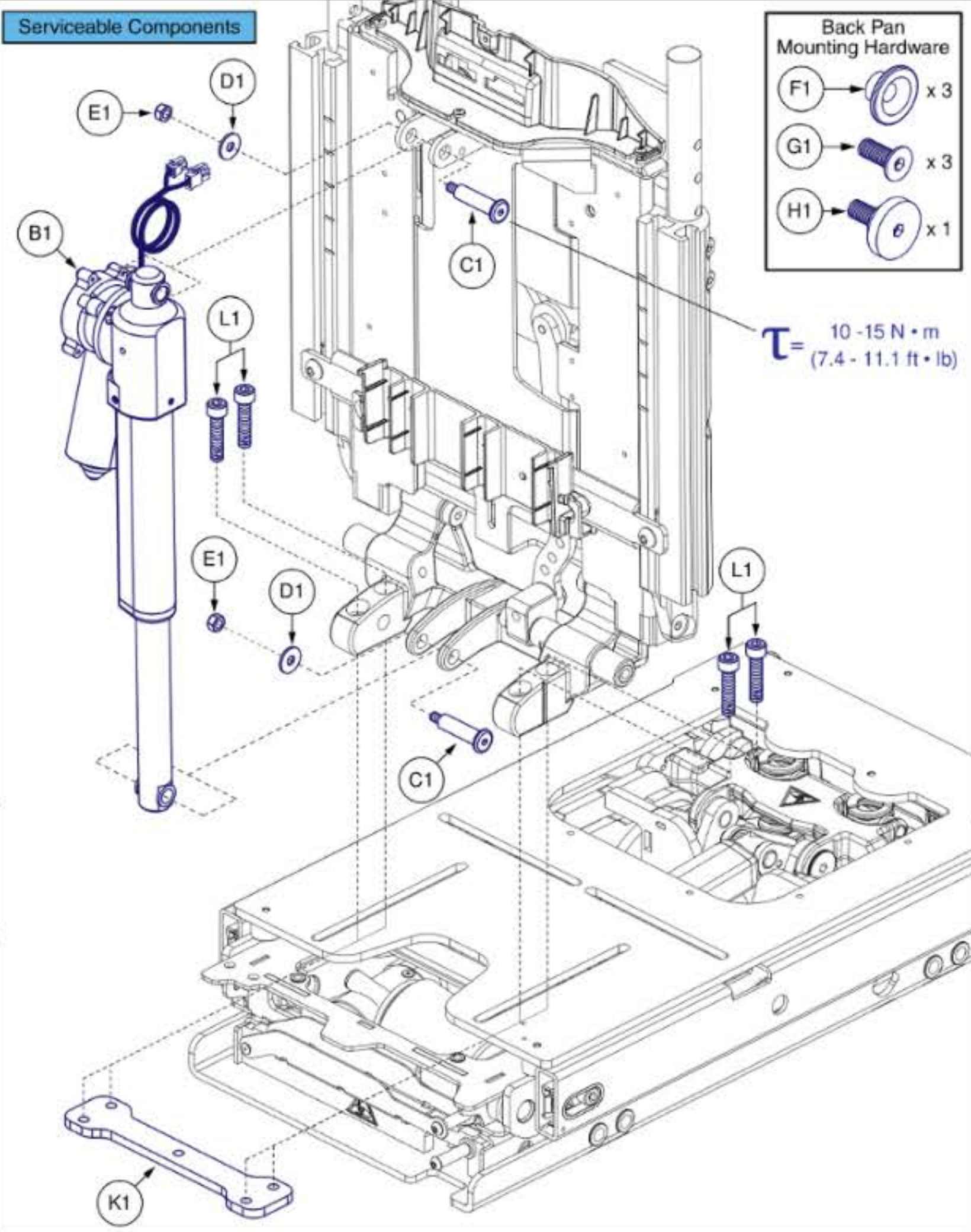
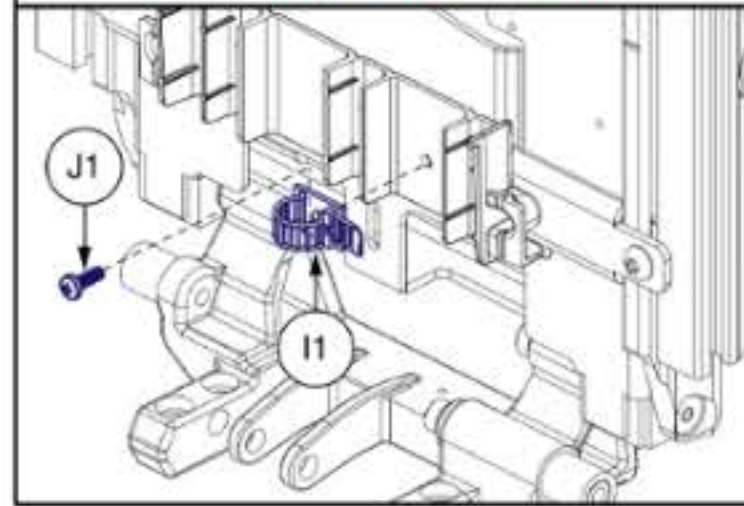


A1 Complete Back Assy w/ Mounting Hardware
Includes all components shown

Only components with callouts are available individually. Components without callouts require the complete assembly to be selected.



Serviceable Components

Back Pan Mounting Hardware
 F1 → x 3
 G1 → x 3
 H1 → x 1

$T = 10 - 15 \text{ N} \cdot \text{m}$
(7.4 - 11.1 ft · lb)

Back Mounting Location

Torque the screws securing the back to the seat base
 $T = 22 - 26 \text{ N} \cdot \text{m}$
(16.2 - 19.1 ft · lb)

Edge® 3 / Stretto

- 2" Forward: 14" Seat Depth
- 1" Forward: 15" Seat Depth
- Middle: 16" - 20" Seat Depth